

A



Zen

24 / 29 / 34

Condensing wall-hung combi boilers with Wi-Fi room thermostat and APP My Rinnai included as standard. It allows user to remotely monitored and controlled via smart device.



With Wi-Fi connectivity, heating become smart.

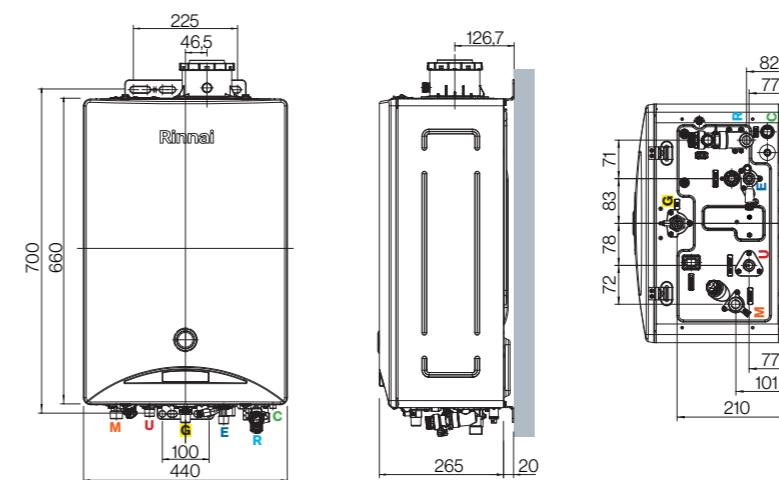
Metal fiber burner

Stainless steel heat exchanger

- Anti-freeze protection system up to -20°C
- Earthquake safety sensor
- Integrated climatic probe
- Outdoor
- Sustainable
- Condensate trap siphon filled with neutralizer
- IPX5D Protection

	ZEN 24	ZEN 29	ZEN 34
Condensing wall-hung combi boilers			
Code	REB-KBI2424FF-NG	REB-KBI2929FF-NG	REB-KBI3535FF-NG
	REB-KBI2424FF-LPG	REB-KBI2929FF-LPG	REB-KBI3535FF-LPG

	ZEN 24	ZEN 29	ZEN 34
Seasonal space heating energy efficiency	A	A	A
Rated heat output	23	28	34
Sound power level, indoor	40	44	43
Declared load profile / Water heating energy efficiency class	L A	XL A	XL A
Rated heat input (Hi) for space heating (kW)	24,0	29,0	34,9
Rated heat input (Hi) for water heating (kW)	24,0	29,0	34,9
Efficiency EN677 (Hi) (80-60°C) (%)	97,5	98,1	98,4
Efficiency EN677 (Hi) (50-30°C) (%)	107,4	107,9	107,8
Output range (80-60°C) for space heating (kW)	5,3 - 23,3	5,3 - 28,0	7,3 - 33,7
Output range (50-30°C) for space heating (kW)	5,8 - 24,8	5,8 - 30,0	8,0 - 36,1
Output range for water heating (kW)	5,4 - 23,5	5,4 - 28,4	7,4 - 33,1
Combustion products temperature at full load (80-60°C) (°C)		73	
Combustion products temperature at partial load (50-30°C) (°C)		45	
Gas consumption G20 at 1.013 mbar and 15°C (DHW) Min/Max (m3/h)	0,61 (2,59)	0,61 (3,06)	0,83 (3,68)
T.D.R.	1:4	1:5	1:4
Nominal gas supply pressure (mbar)		20	
Appliance type	B23, B53, C13, C33, C53, C63, C83, C93, C(10)3, C(12)3, C(13)3, C(15)3		
Electric power consumption at full load space heating (W)	83	100	95
Electric power consumption at partial load space heating (W)	65	66	66
Electric power consumption in stand by (W)		<3	
Electrical supply (V/Hz)		230 / 50	
NOx class		6	
Expansion tank capacity (L)		7,5	9
Operation temperature range space heating (Min/Max) (°C)		35 - 80	
Hot water flow rate (ΔT=35°C) (l/min)	9,6	11,6	14,0
Hot water flow rate (ΔT=25°C) (l/min)	13,5	16,3	19,6



CONNECTIONS	
Gas exhaust / combustion air supply	60/100 mm
M Heating delivery duct	3/4"
U Hot water duct	1/2"
G Gas duct	1/2"
E Cold water duct	1/2"
R Heating return duct	3/4"
C Condensation runoff duct	20 mm

WEIGHT kg	
Zen 24	33
Zen 29	33
Zen 34	37

DIMENSIONS mm	
width	440
depth	285 - 335*
height	660
left side / flue pipe	266,5
air test point	266,5
rear side / flue pipe	126,7
left side / gas pipe	220
left side / delivery pipe	70
left side / return pipe	374
left side / condensation inlet	390
left side / cold water inlet	303
left side / hot water outlet	142
length of gas pipe	25
length of return pipe	45
length of delivery pipe	40
length of hot water pipe	25
length of cold water pipe	25
rear side condensation	40
rear side gas pipe	210
rear side delivery pipe	101
rear pipe return pipe	82
rear side hot water outlet	77
rear side cold water inlet	77

ACCESSORIES	CODE	DESCRIPTION
Magnets	FOT-KS000-037	Adhesive magnets for easier installation of the room-thermostat of the boiler (2x)
External climate probe		Accessory to remote the probe outside the generator
Pipe cover	PCD-KA01	Pipe cover enclosure for Zen 24 and Zen 29
	PCD-KA02	Pipe cover enclosure for Zen 34

VENT SYSTEM	CODE	DESCRIPTION
ø 60/100, equivalent max length 30m	FOT-KX060-001	Coax prolongue L=1000
	FOT-KX060-004	Coax bends 45° (2pcs)
	FOT-KX060-005	Coax bend 90°
	FOT-KX060-A07	Horizontal flue kit
	FOT-HX060-A15	Adaptor ø 60/100 ▶ 80/125
ø 80/80, equivalent max length 50m	FOT-HX125-012	Lead tile
	FOT-KS080-001	Prolongue L=1000 mm
	FOT-KS080-004	Bends 45° (2pcs)
	FOT-KS080-005	Bend 90°
	FOT-KS080-007	Exhaust kit / Horizontal flue kit
	FOT-KB015	Split system adapter
	FOT-KX080-009	Concentric flue ø 80/125
	FOT-KS080-037	Intake grid

