

Modus Infinity

Essential

Wall-hung design solutions



Image by way of example

It is designed to supply a packaged water heating solution as a fully assembled system. It's includes preassembled water and gas connections and manifolds under the tankless water heaters that are properly sized to maintain optimum performance. These wall-hanging configurations are available for 2 and 3 tankless water heaters.

Easy to install

Space saving

Great operational safety

A trained and qualified professional must install the Modus Infinity.



Coupled with solar panels



MODUS



Condensing



High efficiency



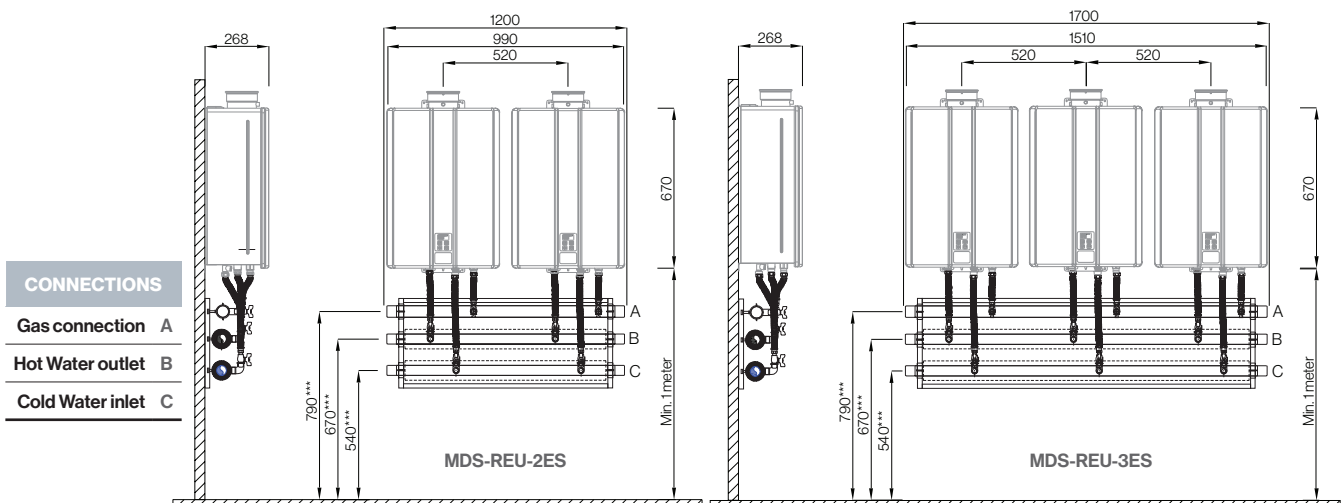
Outdoor



Sustainable

Modus Infinity ESSENTIAL

	M.I.E. 2	M.I.E. 3
Code	MDS-REU-2ES	MDS-REU-3ES
Number of water heaters	2	3
Hot water flow rate (Δt 25°C)	64	96
Dimensions (H x W x D) (mm)	1200 x 370 x 220	1700 x 370 x 220
Frame and exhaust manifolds weight (kg)	18	25
Gas trunk connection type (R)	1" 1/2 - M	
Water trunk connection type (R)	1" 1/4 - F	



Preassembled gas and water manifolds are properly sized to maintain optimum performance. Racks are constructed of powder-coated aluminum, powder-coated steel, and stainless steel to stand up to the most demanding commercial environments while minimizing weight.